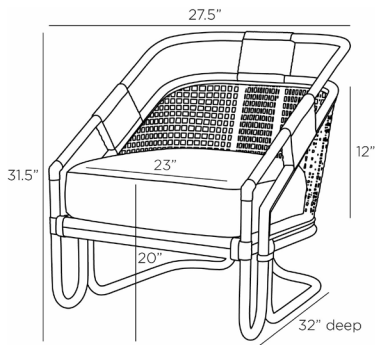


# ARTERIOS

## BEGALA LOUNGE CHAIR



FRS08

H: 31.5 IN, W: 27.5 IN, D: 32 IN

Bone Linen

Contract Recommendations: Not for use in high traffic/public spaces

Woven in an American Art Deco style, our gray-washed finished lounge chair utilizes an intriguing mix of open and closed rattan. Featuring a high square back and serpentine arms, a cushion of ivory linen completes this comfortable lounge chair. Rattan and leather will vary.

### APPEARANCE

Material	Linen, Rattan
Finish	Gray Wash
Finish Will Vary	true
Top Coat/Sealant	true
Textile Contract Suitability	Low Traffic/Private Spaces

### DIMENSIONS

Arm	H: 26.5 IN
Foot Print	W: 26.5 IN, D: 27 IN
Seat Back	H: 12 IN, W: 19
Seat	W: 23 IN, D: 25 IN
Seat Height	20 IN
Seat	W: 23 IN, D: 25 IN
Clearance	10"
Diagonal Dimension	32" IN
Seat Cushion Thickness	7.5"

### SHIPPING

Product Weight	39.7 LBS
Gross Weight 1	44.1 LBS
Gross Weight 2	8 LBS
Shipping Box 1	H: 34.8 IN, L: 30 IN, W: 33.5 IN
Shipping Box 2	H: 8 IN, L: 34.8 IN, W: 34.8 IN

### ADDITIONAL INFO

	N/A
Features	Sustainable
Leg Or Foot Application	Glides
Fabric Compliancy	Barrier Cloth used for TB117-2013 and NFPA-260
Fabric Composition	100% Belgian Linen
Fabric Rub Count	25,000
Fabric Cleaning Code	S - dry clean only
Fabric Content	100% Belgian Linen
Foam Compliancy	TB117-2013, NFPA-260
Seating Type	Tight Wrapped Dacron Foam
Yardage To Reupholster	2.5 Yards

### CONTRACT

Contract Suitable	Not for use in high traffic/public spaces
Swatch Number	L17SW