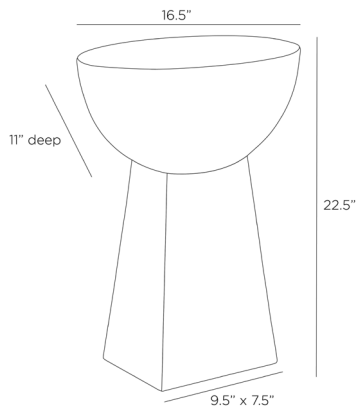


ARTERIOS

DORIAN ACCENT TABLE



FAC02
H: 22.5 IN, W: 16.5 IN, D: 11 IN
Black
Contract Suitable As Is

A geometric accent table is crafted of chai travertine concrete and black resin. The mixed textural finish of the concrete rounded top and geometric base adds a ceremonial quality to its intersecting form. Finish will vary.

APPEARANCE

Material	Concrete Composite, Resin
Finish	Black
Finish Will Vary	true
Top Coat/Sealant	false

DIMENSIONS

Foot Print	W: 9.5 IN, D: 7.5 IN
Table Top	H: 8.5 IN, W: 16.5 IN, D: 11 IN
Bevel	
Diagonal Dimension	28 IN

SHIPPING

Shipping Requirements	TruckShip
Product Weight	65 LBS
Gross Weight 1	70.33 LBS
Shipping Box 1	H: 21 IN, L: 15.63 IN, W: 26.75 IN

CONTRACT

Contract Suitable	true
-------------------	------