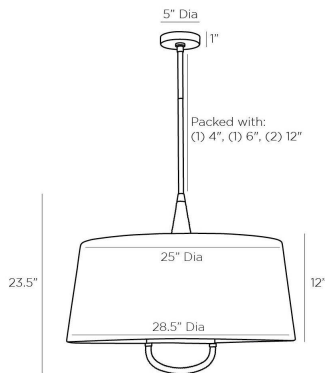


# ARTERIOS

## MIDDLEBURY PENDANT



49789

H: 28.5 IN, Dia: 28.50 IN

Natural Cotton String

The Middlebury pairs feminine form and masculine materials to create the distinct design of this pendant. The unique, rustic style of the shade is crafted from natural cotton string with a white linen lining and a matching diffuser, concealing six lights but exposing a brown leather-wrapped decorative handle — balancing differing tones and textures. Suspended from an antique brass steel pipe and complete with a taupe cloth cord. Finish will vary. Additional pipe available (PIPE-422). Certified for damp locations and intended for interior use.

### APPEARANCE

Material	Cotton, Leather, Linen, Steel
Material Type	String
Finish	Natural, Brown, White, Antique
Finish Will Vary	Brass
Top Coat/Sealant	Yes

### DIMENSIONS

Canopy	H: 1 IN, Dia: 5.00 IN
Pendant	H: 23.5 IN, Dia: 28.50 IN
Minimum Hanging	H: 28.5 IN
Max Hanging Height	58.5 in

### WIRING

Rating	Damp
Cord	10 FT, Black/White, SVT
Socket	6, Type B - E12
Maximum Watt	60
Voltage	110-120 V

### COMPONENTS

Pipe or Chain Included	(1) 4", (1) 6", (2) 12"
------------------------	-------------------------

### CERTIFICATIONS

Certifications	Mexico, United Arab Emirates, European Union, United States, Canada, Australia
----------------	--

### COMPLIANCY

UL/ETL	Yes
CB	Yes
RoHS	Yes

### SHIPPING

Shipping Requirements	TruckShip
Product Weight	13.5 lbs
Gross Weight 1	15 lbs
Shipping Box 1	H: 15.5 IN, L: 38.5 IN, W: 30.5 IN
Shipping Box 2	H: 0 IN, L: 0 IN, W: 0 IN

### ADDITIONAL INFO

Features	Sustainable
----------	-------------

### REPLACEMENT PARTS

Replacement Part 1	PIPE-422
Replacement Part 1 Dim	(1) 4", (1) 6", (1) 12"
Replacement Part 2	CANOPY-596
Replacement Part 2 Dim	1" x 5" Dia

### CONTRACT

Contract Suitable	Yes
-------------------	-----