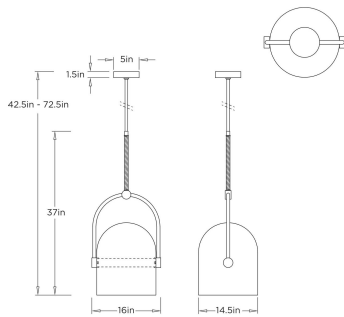


ARTERIOS

MARCO LARGE PENDANT



*ADDITIONAL PIPE AVAILABLE
DPC28 MARCO LARGE PENDANT ARTERIOS



DPC28
Smoke Seeded Glass

Drawn inspiration from equestrian style this modern drop pendant is suspended from a bone leather-wrapped pipe. A shade of smoke-seeded glass bisected by a tubular LED lightand held in a framework of antique brass-plated steel. This style can be tilted upwards or downwards to direct illumination in any desired direction. Designed to be displayed alone or in multiples. Certified for damp locations and intended for interior use. Finish will vary.

APPEARANCE

Materials	Glass, Leather, Iron
Finishes	Smoke, Bone, Antique Brass
Finish Will Vary	Yes
Top Coat/Sealant	Yes

DIMENSIONS

Overall	W: 16 in x D: 14.5 in x H: 42.5 in
Canopy	Dia: 6.0 in x H: 1.5 in
Maximum Hanging Height as Sold	72.5 in
Minimum Hanging Height as Sold	42.5 in
Pendant	W: 16 in x D: 14.5 in x H: 37 in

WIRING

Wire Rating	Damp
Cord	10 FT, Black/White, SVT
Socket	1, Integrated LED
Maximum Wattage	15.0
Voltage	110-120 V
LED Color Temperature	2700K
LED Compatible Dimmer	0-10 V Dimmer
LED CRI	90+
LED Lifespan (Hours)	20,000

CERTIFICATIONS & COMPLIANCY

Certifications	Mexico, United States, Canada
Compliance	RoHS, UL/ETL

SHIPPING

Product Weight	17.6 lbs
Gross Weight 1	30.0 lbs
Shipping Box 1	W: 18.5 in x D: 23.6 in x H: 29.0 in

CONTRACT

Contract Suitability	Contract Suitable As Is
----------------------	-------------------------

ADDITIONAL PARTS AVAILABLE

PIPE-513	(1) 4", (1) 6", (1) 12"
----------	-------------------------

REPLACEMENT PARTS

DS30W24