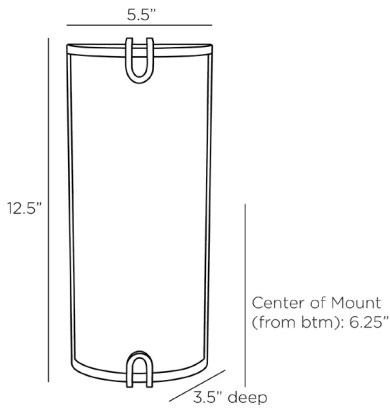


ARTERIOS

ADRIEL SCONCE



DW110
H: 12.5 IN, W: 5.5 IN, D: 3.5 IN
Antique Brass, Mercury Glass
Contract Suitable As Is

Designed to recall antique theater lighting, the mesmerizing finish of Mercury glass makes this glass-shaded sconce a standout in any décor. Mounted in a frame of antique brass iron, it is sure to deliver the drama. Damp-rated, although limited covered outdoor conditions may affect finish. Finish will vary.

APPEARANCE

Material	Glass, Iron
Finish	Antique Brass
Finish Will Vary	true
Top Coat/Sealant	true

DIMENSIONS

Center Of Mount From Btm	6.25 IN
Backplate	H: 12.5 IN, W: 5.5 IN, D: 0.5 IN

WIRING

Rating	Damp
Certification Note	WITH BLACK SOCKETS
Suggested Bulb Type	B8
Cord	0.5 FT, Clear/Silver, SPT-2
Socket	2, Type B - E12
Photographed Bulb	Clear Straight Tip Candelabra Bulb
Maximum Watt	25
Voltage	110-120 V

CERTIFICATIONS

Certifications	Mexico Australia, European Union, United Arab Emirates, United States, Canada
----------------	--

COMPLIANCY

UL/ETL	Yes
CB	Yes
RoHS	true

SHIPPING

Product Weight	4.4 LBS
Gross Weight 1	6.61 LBS
Shipping Box 1	H: 16.1 IN, L: 15.4 IN, W: 7.5 IN

ADDITIONAL INFO

Features	ADA
Hanging Orientation	Horizontal and Vertical

REPLACEMENT PARTS

Replacement Part 1	DW110GLS
--------------------	----------

CONTRACT

Contract Suitable	true
-------------------	------