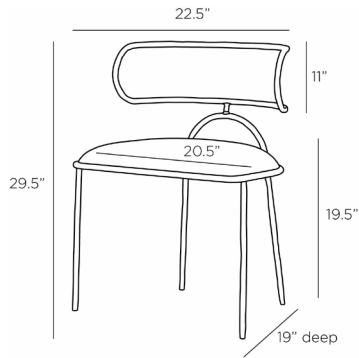


# ARTERIOS

## AISHA DINING CHAIR



FRI05

H: 29.5 IN, W: 22.5 IN, D: 19 IN

Natural Linen

Contract Recommendations: Adding a lacquer coating provides additional protection

The flowing lines of the Aisha are given an industrial edge with a hand-hammered frame of blackened iron. Influenced by the monochromatic minimalism of line art, this sleek style is completed with a subtly padded natural linen seat for comfort.

### APPEARANCE

Material	Iron, Linen
Finish	Blackened Iron
Top Coat/Sealant	true
Textile Contract Suitability	Not Contract Suitable

### DIMENSIONS

Seat Back	18 IN
	H: 11 IN, W: 20.5
Seat	W: 20.5 IN, D: 16.5 IN
Seat Height	19.5 IN
Seat	W: 20.5 IN, D: 16.5 IN
Clearance	16.5"
Diagonal Dimension	34" IN
Seat Cushion Thickness	3"

### SHIPPING

Shipping Requirements	TruckShip
Product Weight	22.7 LBS
Gross Weight 1	44.1 LBS
Shipping Box 1	H: 33 IN, L: 22 IN, W: 25 IN

### ADDITIONAL INFO

	N/A
Fabric Compliancy	Barrier Cloth used for TB117-2013 and NFPA-260
Fabric Composition	100% Linen
Fabric Rub Count	5,000
Fabric Cleaning Code	S - dry clean only
Fabric Content	100% Linen
Foam Compliancy	UK Compliant, TB117-2013, NFPA-260
Yardage To Reupholster	1 Yard

### CONTRACT

Contract Suitable	Adding a lacquer coating provides additional protection
Swatch Number	L02SW