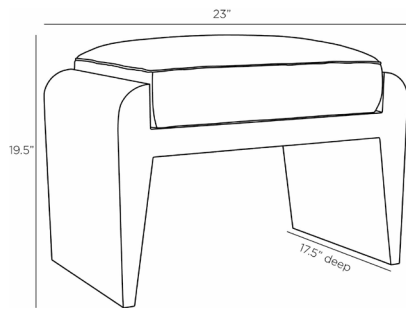


ARTERIOS

ALANNA OTTOMAN



FOS02
H: 19.5 IN, W: 23 IN, D: 17.5 IN
Sand Vegan Leather
Contract Suitable As Is

Using a lacquer technique, our ivory-finished stool has a timeless appeal. Clean lines and curved angles allow it to work with a myriad of décor styles. Topped with a sand vegan leather seat.

APPEARANCE

Material	Lacquer, Vegan Leather
Finish	Ivory
Top Coat/Sealant	false
Textile Contract Suitability	High Traffic/Public Spaces

DIMENSIONS

Foot Print	W: 23 IN, D: 16 IN
Seat	W: 19 IN, D: 17.5 IN
Seat Height	19.5 IN
Seat	W: 19 IN, D: 17.5 IN
Clearance	11"
Seat Cushion Thickness	6"

SHIPPING

Product Weight	25 LBS
Gross Weight 1	30.8 LBS
Gross Weight 2	10 LBS
Shipping Box 1	H: 26 IN, L: 19 IN, W: 18 IN
Shipping Box 2	H: 8 IN, L: 20 IN, W: 18 IN

ADDITIONAL INFO

	N/A
Leg Or Foot Application	Nylon Glides
Fabric Compliancy	NFPA-260, TB117-2013
Fabric Composition	100% Polyurethane, 100% Polyester Backing
Fabric Rub Count	250,000
Fabric Cleaning Code	P - clean with detergent & water
Fabric Content	100% Polyurethane, 100% Polyester Backing
Foam Compliancy	TB117-2013, NFPA-260
Seating Type	Tight Wrapped Dacron Foam
Yardage To Reupholster	27 Square Feet

CONTRACT

Contract Suitable	true
Swatch Number	T37SW