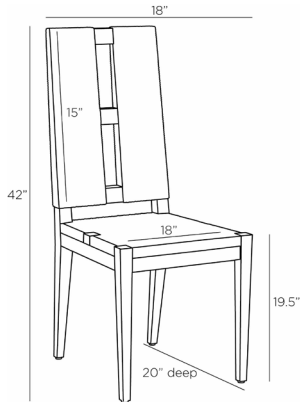


# ARTERIOS

## ANTONIO DINING CHAIR



FRS06

H: 42 IN, W: 18 IN, D: 20 IN

Ebony

Contract Recommendations: Not for use in high traffic/public spaces

The streamlined modernism of French 1940s design is embodied in a sleek ebony wood and rattan dining chair. High-backed with chic rectangular cutouts for easy carrying, its wide seat supports comfortable conversations. An endlessly versatile piece, this transitional essential is at home wherever you place it. Rattan will vary.

### APPEARANCE

Material	Rattan, Wood
Finish	Ebony
Finish Will Vary	true
Top Coat/Sealant	true

### DIMENSIONS

Foot Print	W: 18 IN, D: 22 IN
Leg	H: 16 IN, W: 1.5, D: 1.5
Seat Back	H: 15 IN, W: 23
Seat	W: 18 IN, D: 18 IN
Seat Height	19.5 IN
Seat	W: 18 IN, D: 18 IN
Clearance	16"
Diagonal Dimension	47" IN
Seat Cushion Thickness	3"

### SHIPPING

Product Weight	16.7 LBS
Gross Weight 1	26.7 LBS
Shipping Box 1	H: 45 IN, L: 21.3 IN, W: 25 IN

### ADDITIONAL INFO

Features	Sustainable
Leg Or Foot Application	Glides

### CONTRACT

Contract Suitable	Not for use in high traffic/public spaces
-------------------	---