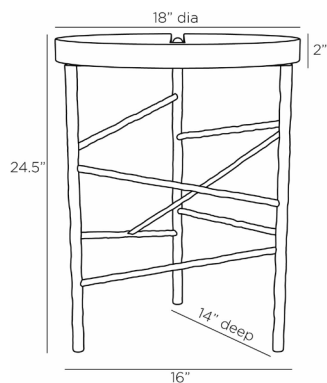


ARTERIO RS

ATLAS END TABLE



FE116
H: 24.5 IN, Dia: 18.00 IN
Blackened Iron

When simple forms meet luxe materials, the result is our elegant Atlas. Intersected by a bar of forged iron, a cool circle of white marble balances on a trio of blackened iron legs. Intersecting accents of iron reminiscent of wrapped string zig and zag playfully about the base. Marble will vary.

APPEARANCE

Material	Iron, Marble
Finish	Blackened Iron
Finish Will Vary	true
Top Coat/Sealant	true

DIMENSIONS

Foot Print	W: 16 IN, D: 14 IN
Table Top	H: 2 IN, Dia: 18.00 IN
Clearance	4.5"
Diagonal Dimension	30.5" IN

SHIPPING

Shipping Requirements	TruckShip
Product Weight	66.3 LBS
Gross Weight 1	88.2 LBS
Shipping Box 1	H: 28 IN, L: 21 IN, W: 21 IN

ADDITIONAL INFO

Leg Or Foot Application	None
-------------------------	------

CONTRACT

Contract Suitable	false
-------------------	-------