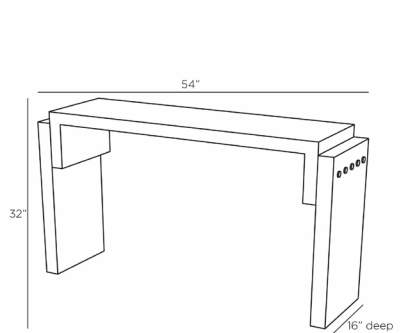


ARTERIOS

BERNARDO CONSOLE



FLI08

H: 32 IN, W: 54 IN, D: 16 IN

Graphite

Contract Recommendations: Adding a lacquer coating provides additional protection

The Bernardo provides a modernist sophistication to any space. Graphite leather-wrapped legs support a staggered slab top of ebony oak wood. Crafted in a pleasing mix of materials, it is punctuated at the sides with topstitching and antiqued brass buttons. Leather and wood will vary.

APPEARANCE

Material	Leather, Oak Veneer
Finish	Graphite
Finish Will Vary	true
Top Coat/Sealant	true

DIMENSIONS

Foot Print	W: 54 IN, D: 16 IN
Leg	H: 30 IN, W: 2.5, D: 16
Table Top	W: 49 IN, D: 16 IN
Clearance	30"
Diagonal Dimension	36" IN

SHIPPING

Shipping Requirements	TruckShip
Product Weight	58 LBS
Gross Weight 1	128.55 LBS
Shipping Box 1	H: 41 IN, L: 60 IN, W: 62 IN

ADDITIONAL INFO

Leg Or Foot Application	Felt
-------------------------	------

CONTRACT

Contract Suitable	Adding a lacquer coating provides additional protection
-------------------	---------------------------------------------------------