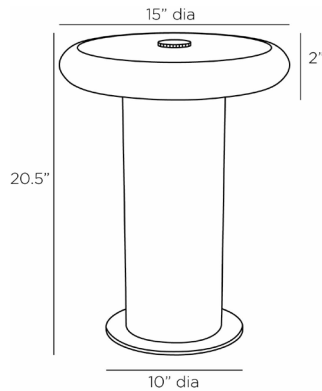


ARTERIOS

BUCKLEY ACCENT TABLE



FA111

H: 20.5 IN, Dia: 15.00 IN

Washed Tobacco

Contract Recommendations: Untempered glass

This sleight-of-hand material mix draws the best from the industrial and natural worlds. Buckley's solid column of mango wood in a washed tobacco finish is topped with smoke cast glass for interest and finished with a blackened iron base. Its bullnose profile is adorned with a blackened iron screw at the top for easy lifting and moving. Wood and glass will vary.

APPEARANCE

Material	Glass, Iron, Wood
Material Type	Cast, Mango
Finish	Blackened Iron, Washed Tobacco
Finish Will Vary	true
Top Coat/Sealant	true

DIMENSIONS

Foot Print	Dia: 10.00 IN
Table Top	H: 2 IN, Dia: 15.00 IN
Clearance	18.5"
Diagonal Dimension	25.5" IN

SHIPPING

Product Weight	46.4 LBS
Gross Weight 1	57.55 LBS
Shipping Box 1	H: 26.8 IN, L: 18.8 IN, W: 18.8 IN

ADDITIONAL INFO

Features	Sustainable
Leg Or Foot Application	Felt

CONTRACT

Contract Suitable	Untempered glass
-------------------	------------------