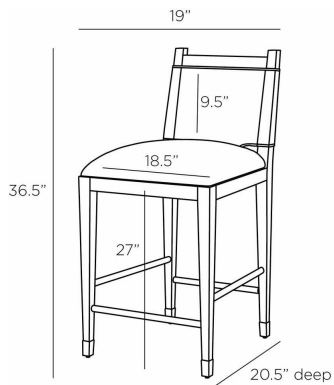


ARTERIOS

BURDOCK COUNTER STOOL



FSI09

H: 36.5 IN, W: 19 IN, D: 20.5 IN,
Vanilla Leather

Tapered legs and straight lines lend a masculine appeal to our tailored ebony finished beech wood counter stool. For comfort and style, we wrapped the t-shaped and well-padded seat in vanilla leather. Finished with non-functional snap details and tipped at each leg with antique brass sabots. Leather will vary.

APPEARANCE

Material	Leather, Wood, Brass
Material Type	Beech
Finish	Vanilla, Ebony, Antique Brass
Finish Will Vary	Yes
Top Coat/Sealant	Yes
Textile Contract Suitability	High Traffic/Public Spaces

DIMENSIONS

Foot Print	W: 18.5 IN, D: 20 IN
Leg	W: 1.5 IN, D: 1.5 IN
Seat	H: 27 IN, W: 18.5 IN, D: 17.5 IN
Seat Back	H: 9.5 IN, W: 16.5 IN
Diagonal Dimension	42 IN
Clearance	7 IN

SHIPPING

Product Weight	17.8 lbs
Gross Weight 1	31.97 lbs
Shipping Box 1	H: 38.5 IN, L: 22 IN, W: 22 IN

ADDITIONAL INFO

Disclaimers

This piece is made with genuine leather. The variations in color are a natural characteristic of leather and may increase over time, adding to the individuality of your item. Please keep this away from prolonged intense sunlight, heat and humidity.

Swatch Number	T46SW
Fabric Compliance	NFPA-260, TB117-2013
Fabric Content	100% Leather
Fabric Cleaning Code	P - clean with detergent & water
Leg Or Foot Application	Glides

CONTRACT

Contract Suitable	Yes
Fabric Composition	100% Leather