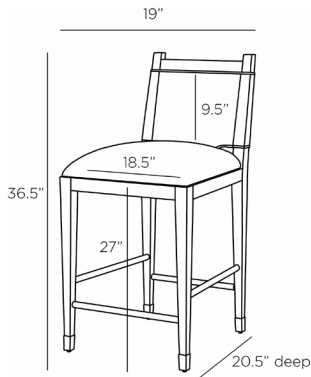


# ARTERIOS

## BURDOCK COUNTER STOOL



FS110  
H: 36.5 IN, W: 19 IN, D: 20.5 IN  
Ebony Leather  
Contract Suitable As Is

Tapered legs and straight lines lend a masculine appeal to our tailored smoke finished beech wood counter stool. For comfort and style, we wrapped the t-shaped and well-padded seat in ebony leather. Finished with non-functional snap details and tipped at each leg with bronze sabots. Leather will vary.

### APPEARANCE

Material	Brass, Leather, Wood
Material Type	Beech
Finish	Bronze, Smoke
Finish Will Vary	true
Top Coat/Sealant	true
Textile Contract Suitability	High Traffic/Public Spaces

### DIMENSIONS

Foot Print	W: 18.5 IN, D: 20 IN
Leg	W: 1.5, D: 1.5
Seat Back	H: 9.5 IN, W: 16.5
Seat	W: 18.5 IN, D: 17.5 IN
Seat Height	27 IN
Seat	W: 18.5 IN, D: 17.5 IN
Clearance	7"
Diagonal Dimension	42 IN

### SHIPPING

Product Weight	17.8 LBS
Gross Weight 1	32.41 LBS
Shipping Box 1	H: 41 IN, L: 25.6 IN, W: 21.6 IN

### ADDITIONAL INFO

Disclaimers	This piece is made with genuine leather. The variations in color are a natural characteristic of leather and may increase over time, adding to the individuality of your item. Please keep this away from prolonged intense sunlight, heat and humidity.
Leg Or Foot Application	Glides
Fabric Compliancy	NFPA-260, TB117-2013
Fabric Rub Count	N/A
Fabric Cleaning Code	P - clean with detergent & water
Fabric Content	100% Leather
Yardage To Reupholster	27 Square Feet

### CONTRACT

Contract Suitable	true
Fabric Composition	100% Leather