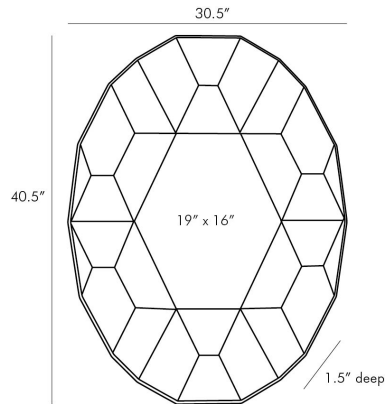


# ARTERIOS

## CalLEN MIRROR



4727

H: 40.5 IN, W: 30.5 IN, D: 1.5 IN

Natural Iron

Contract Suitable As Is

The Callen Mirror delivers dramatic depth and dimension. A unique geometric pattern surrounds the hexagon-shaped glass center creating a reflective tortoiseshell appearance. Framed in natural iron the heavily antiqued outer mirrored panels provide warm and cool tones that accentuate a more lightly antiqued and functional central mirror. Security cleat hanging hardware allows for horizontal and vertical display. finish

### APPEARANCE

Material	Iron, Mirror
Finish	Antiqued Mirror, Speckled Antique Mirror
Finish Will Vary	true
Top Coat/Sealant	false

### DIMENSIONS

Mirror Size	H: 19 IN, W: 16 IN
-------------	--------------------

### SHIPPING

Shipping Requirements	TruckShip
Product Weight	30 LBS
Gross Weight 1	49.6 LBS
Shipping Box 1	H: 10 IN, L: 41 IN, W: 37 IN

### ADDITIONAL INFO

Hanger Position	Vertical & Horizontal
Hanger Type	Security Cleat

### CONTRACT

Contract Suitable	true
-------------------	------