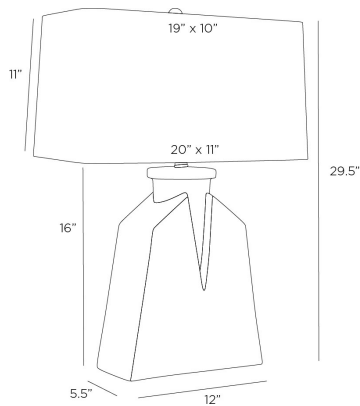


ARTERIOS

CERA LAMP



PTC28-SH040
 H: 29.5 IN, W: 20 IN, D: 11 IN
 Ivory Crackle, Ceramic
 Contract Suitable As Is

The tailored lines of a split-necked shirt are reflected in the ceramic base of our tapered table lamp. Glazed with an ivory crackle finish, it is topped with an ivory rectangular microfiber shade and matching ceramic finial. Antique brass hardware and clear silver cord. Finish will vary.

APPEARANCE

Material	Ceramic, Microfiber, Steel
Finish	Antique Brass, Ivory, White
Finish Will Vary	true
Top Coat/Sealant	false
Finial Description	Matching ceramic
Finial Dimension	1"H x 1"Dia

DIMENSIONS

Shade	Top: 10 IN, Top: 19 IN, D: 11 IN, W: 20 IN, Side: 11 IN
Body	H: 16 IN, W: 12 IN, D: 5.5 IN
Neck	H: 2 IN, Dia: 1.00 IN
Foot Print	W: 12 IN, D: 5.5 IN
Harp	9 IN

WIRING

Rating	Indoor Only
Tilt Test	10 Degrees - AU
Cord	10 FT, Back of Lamp Base, Clear/Silver, SPT-2
Socket	1, Antique Brass, Type A - E26
Switch	3-Way Rotary, At Socket
Maximum Watt	150
Voltage	110-120 V

COMPLIANCY

RoHS	true
------	------

SHIPPING

Product Weight	10 LBS
Gross Weight 1	15 LBS
Gross Weight 2	5 LBS
Shipping Box 1	H: 22 IN, L: 14.6 IN, W: 7.9 IN
Shipping Box 2	H: 28.74 IN, L: 21.26 IN, W: 12.6 IN

ADDITIONAL INFO

Shade Shape	Rectangle
Shade Trim	Rolled Edges
Shade Type	Hardback

CONTRACT

Contract Suitable	true
-------------------	------