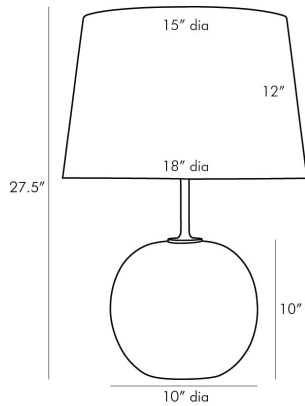


ARTERIOS

COLTON LAMP



49361-355

H: 27.5 IN, Dia: 18.00 IN

Ivory Ricestone

Contract Suitable As Is

Presenting a polished but modest profile the Colton exceeds expectations with refined materials and sophisticated style. An exaggerated antique brass stem reveals an oversized white orb foundation composed of rice stone. A functional art piece in its simplest form for traditional and modern settings. Topped with an ivory microfiber drum shade with ivory cotton lining and a 1" brass sphere finial. finish will vary.

APPEARANCE

| | |
|--------------------|--------------------------------------|
| Material | Cotton, Microfiber, Ricestone, Steel |
| Material Type | Composite |
| Finish | Antique Brass, Ivory |
| Finish Will Vary | true |
| Top Coat/Sealant | false |
| Finial Description | 1" Brass Sphere |

DIMENSIONS

| | |
|------------|---|
| Shade | Top: 15.00 IN, Dia: 18.00 IN, Side: 12 IN |
| Body | H: 10 IN, Dia: 10.00 IN |
| Neck | H: 6 IN, Dia: 1.00 IN |
| Foot Print | Dia: 6.00 IN |
| Harp | 10 IN |

WIRING

| | |
|--------------|------------------------------|
| Rating | Indoor Only |
| Tilt Test | 10 Degrees - AU |
| Cord | 8 FT, Clear/Silver, SPT-2 |
| Socket | 1, Brass, Type A- E26, 3-Way |
| Switch | 3-Way Rotary, At Socket |
| Maximum Watt | 150 |
| Voltage | 110-120 V |

CERTIFICATIONS

| | |
|---------------|---|
| Cerifications | Mexico Australia, EU, United Kingdom, Middle East, United States, Canada |
|---------------|---|

COMPLIANCY

| | |
|--------|------|
| UL/ETL | Yes |
| CB | Yes |
| RoHS | true |

SHIPPING

| | |
|----------------|------------------------------|
| Product Weight | 29 LBS |
| Gross Weight 1 | 29 LBS |
| Gross Weight 2 | 2.5 LBS |
| Shipping Box 1 | H: 24 IN, L: 17 IN, W: 17 IN |
| Shipping Box 2 | H: 16 IN, L: 22 IN, W: 22 IN |

ADDITIONAL INFO

| | |
|-------------|--------------|
| Shade Shape | Round |
| Shade Trim | Rolled Edges |
| Shade Type | Hardback |

CONTRACT

| | |
|-------------------|------|
| Contract Suitable | true |
|-------------------|------|