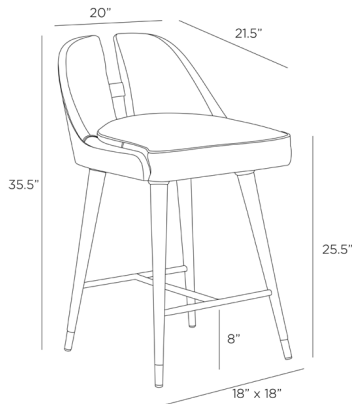


ARTERIOS

CROWLEY COUNTER STOOL



FS111

H: 35.5 IN, W: 20 IN, D: 21.5 IN

Black Leather

Contract Suitable As Is

The ideal balance of masculine and feminine, a sleek slit detail mimics an alluring open-backed dress. Upholstered in soft black leather, this counter stool is enhanced with polished antique brass joinery. Poised on slim, ebony beech wood legs tipped in brass. Leather will vary.

APPEARANCE

Material	Brass, Leather, Wood
Material Type	Beech
Finish	Antique Brass, Ebony
Finish Will Vary	true
Top Coat/Sealant	true
Textile Contract Suitability	High Traffic/Public Spaces

DIMENSIONS

Foot Print	W: 18 IN, D: 18 IN
Leg	H: 21 IN, Dia: 2.50
Seat Back	H: 10.5 IN, W: 19.5, D: 2
Seat Cushion Thickness	4 IN
Seat	W: 18 IN, D: 18 IN
Seat Height	25.5 IN
Seat	W: 18 IN, D: 18 IN
Clearance	8"
Diagonal Dimension	42 IN

SHIPPING

Product Weight	23 LBS
Gross Weight 1	37.5 LBS
Shipping Box 1	H: 25.6 IN, L: 25.6 IN, W: 37 IN

ADDITIONAL INFO

Disclaimers	This piece is made with genuine leather. The variations in color are a natural characteristic of leather and may increase over time, adding to the individuality of your item. Please keep this away from prolonged intense sunlight, heat and humidity.
Leg Or Foot Application	Glides
Fabric Compliancy	NFPA-260, TB117-2013
Fabric Rub Count	N/A
Fabric Cleaning Code	S - dry clean only
Fabric Content	100% Leather

CONTRACT

Contract Suitable	true
Fabric Composition	100% Leather