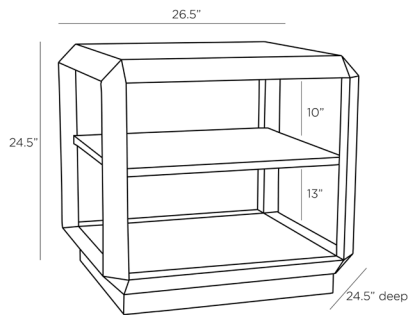


ARTERIOS

DANI END TABLE



5604
H: 24.5 IN, W: 26.5 IN, D: 24.5 IN
Ebony
Contract Suitable As Is

A contemporary design constructed with natural materials the Dani finds balance in style and function. Walnut in an ebony finish is crafted in an angular fashion inspired by the many facets of emerald cut stones. The open form plays on the symmetry of its geometric arrangement creating a striking visual aesthetic that is sure to catch one's eye. This three-shelf structure is the perfect platform for curated collections of

APPEARANCE

Material	Walnut
Finish	Ebony
Top Coat/Sealant	false

DIMENSIONS

Foot Print	W: 20 IN, D: 20 IN
Table Top	W: 22 IN, D: 20 IN

SHIPPING

Product Weight	52.5 LBS
Gross Weight 1	85 LBS
Shipping Box 1	H: 29.2 IN, L: 29.2 IN, W: 28.8 IN

CONTRACT

Contract Suitable	true
-------------------	------