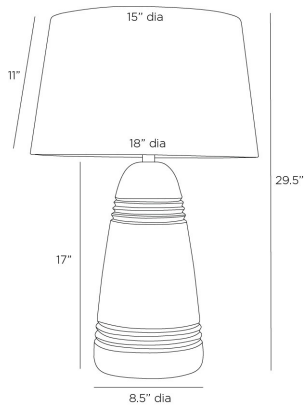


# ARTERIOS

## DJANGO LAMP



PTS16-829  
H: 29.5 IN, Dia: 18.00 IN  
Matte Charcoal, Terracotta  
Contract Suitable As Is

Made for an organic modern space, the Django's monolithic form adds a bold contrast in a neutral room. A matte charcoal terracotta base is carefully gauged with groove-like details at its top and base. Crowned with an off-white linen drum shade, this minimalist accessory also features antique brass hardware and a matching finial. Finish will vary.

### APPEARANCE

Material	Cotton, Linen, Steel, Terracotta
Finish	Antique Brass, Off-White
Finish Will Vary	true
Top Coat/Sealant	false
Finial Description	Matte charcoal terracotta to match
Finial Dimension	1.5"H x 2"Dia

### DIMENSIONS

Shade	Top: 15.00 IN, Dia: 18.00 IN, Side: 11 IN
Body	H: 17 IN, Dia: 8.50 IN
Neck	H: 1 IN, Dia: 1.00 IN
Foot Print	Dia: 8.50 IN
Harp	9.5 IN

### WIRING

Rating	Indoor Only
Tilt Test	10 Degrees - AU
Cord	6 FT, Back of Lamp Base, Clear/Silver, SPT-2
Socket	1, Antique Brass, Type A - E26
Switch	3-Way Rotary, At Socket
Maximum Watt	60
Voltage	110-120 V

### COMPLIANCY

RoHS	true
------	------

### SHIPPING

Product Weight	14 LBS
Gross Weight 1	20 LBS
Gross Weight 2	5 LBS
Shipping Box 1	H: 26 IN, L: 13 IN, W: 13 IN
Shipping Box 2	H: 34 IN, L: 19.3 IN, W: 19.3 IN

### ADDITIONAL INFO

Shade Shape	Round
Shade Trim	Rolled Edges
Shade Type	Hardback

### REPLACEMENT PARTS

Replacement Part 1	PTS16FIN
Replacement Part 1 Dim	1.5"H x 2"Dia

### CONTRACT

Contract Suitable	true
-------------------	------