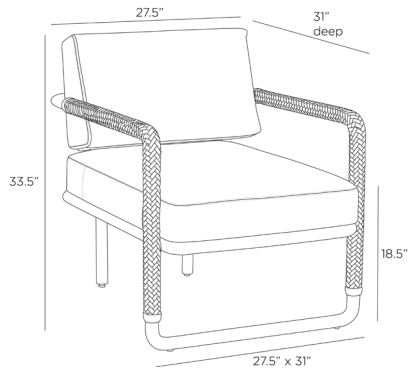


ARTERIOS

DURHAM CHAIR



FRI15

H: 33.5 IN, W: 27.5 IN, D: 31 IN

Cognac

Contract Suitable As Is

The classic leather club chair, updated with modern open arms and pieced details. Tactile braided leather of a rich cognac hue on each arm complements its sturdy mid-century lines. An open frame of blackened bronze stainless steel makes this generously scaled seat both airy and easy to place. Finish will vary.

APPEARANCE

Material	Leather, Stainless Steel
Finish	Blackened Bronze
Finish Will Vary	true
Top Coat/Sealant	false
Textile Contract Suitability	High Traffic/Public Spaces

DIMENSIONS

Arm	2.00
Foot Print	H: 2 IN, W: 2 IN, D: 31 IN
Back Leg Height	W: 27.5 IN, D: 31 IN
Front Leg Height	12 IN
Seat Back	12 IN
Seat	H: 26 IN, W: 24, D: 5.5
Seat	W: 23.5 IN, D: 30.5 IN
Seat Height	18.5 IN
Seat	W: 23.5 IN, D: 30.5 IN
Clearance	11.5"
Diagonal Dimension	46 IN
Seat Cushion Thickness	5.5 IN

SHIPPING

Shipping Requirements	TruckShip
Product Weight	43.3 LBS
Gross Weight 1	60.42 LBS
Shipping Box 1	H: 35.45 IN, L: 30 IN, W: 34.25 IN

ADDITIONAL INFO

Disclaimers	This piece is made with genuine leather. The variations in color are a natural characteristic of leather and may increase over time, adding to the individuality of your item. Please keep this away from prolonged intense sunlight, heat and humidity.
Leg Or Foot Application	Glides
Fabric Compliancy	NFPA-260, TB117-2013
Fabric Rub Count	N/A
Fabric Cleaning Code	Leather Cleaner
Fabric Content	100% Leather

CONTRACT

Contract Suitable	true
Fabric Composition	100% Leather