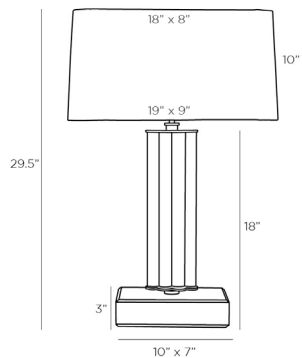


# ARTERIOS

## ECKART LAMP

JAY JEFFERS



DJ49003-154

H: 29.5 IN, W: 19 IN, D: 9 IN

Antique Brass, Ebony Wood

Contract Suitable As Is

There is strength in simplicity. The clear glass rods are capped in antique brass and grouped together to form a collumnar lamp with an ebony oak base. The lamp is topped with an off-white linen rectangular shade with matching lining.

### APPEARANCE

	Off-White
Material	Cotton, Crystal, Iron, Linen, Wood
Material Type	Oak
Finish	Antique Brass, Clear, Ebony, Off-White
Top Coat/Sealant	true
Finial Description	Matching metal sphere

### DIMENSIONS

Shade	Top: 8 IN, Top: 18 IN, D: 9 IN, W: 19 IN, Side: 10 IN
Body	H: 18 IN
Base	H: 3 IN, W: 10 IN, D: 7 IN
Foot Print	W: 10 IN, D: 7 IN

### WIRING

Rating	Indoor Only
Tilt Test	10 Degrees - AU
Cord	8 FT, SPT-2, Taupe Fabric
Socket	2, Black, Type A - E26
Switch	On Line, On/Off Rotary
Maximum Watt	100
Voltage	110-120 V

### COMPLIANCY

RoHS	true
------	------

### SHIPPING

Product Weight	18.4 LBS
Gross Weight 1	15.4 LBS
Gross Weight 2	5 LBS
Shipping Box 1	H: 9.8 IN, L: 28 IN, W: 13.6 IN
Shipping Box 2	H: 12 IN, L: 21 IN, W: 11 IN

### ADDITIONAL INFO

Shade Shape	Rectangle
Shade Trim	Rolled Edges
Shade Type	Hardback

### REPLACEMENT PARTS

Replacement Part 1	DJ49003FIN
--------------------	------------

### CONTRACT

Contract Suitable	true
-------------------	------