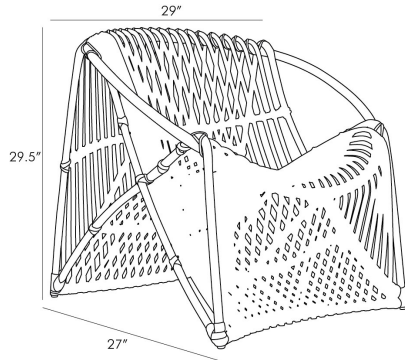


# ARTERIOS

## ELEANOR LOUNGE CHAIR



5592

H: 29.5 IN, W: 29 IN, D: 27 IN

Gray

Contract Recommendations: Adding a lacquer coating provides additional pro-

Rich with sweeping lines inspired by Spanish architect Santiago Calatrava's World Trade Center Hub known as the Oculus this chair delivers an undeniably unique style. Rattan poles with light gray leather bindings are shaped over a circular frame creating a deep seat with curves that hug you from every angle. The negative space creates an airy volume. A gray wash finish accentuates the organic materials and adds an extra

### APPEARANCE

Material	Leather, Rattan
Finish	Gray Wash, Light Gray
Finish Will Vary	true
Top Coat/Sealant	false

### DIMENSIONS

Arm	H: 23 IN
Foot Print	W: 29 IN, D: 27 IN
Seat Back Height	21 IN
Seat	W: 22 IN, D: 20 IN

### SHIPPING

Product Weight	16.5 LBS
Gross Weight 1	23 LBS
Shipping Box 1	H: 34.7 IN, L: 30.4 IN, W: 30.8 IN

### CONTRACT

Contract Suitable	Adding a lacquer coating provides additional protection, Not for use in high traffic/public spaces
-------------------	--