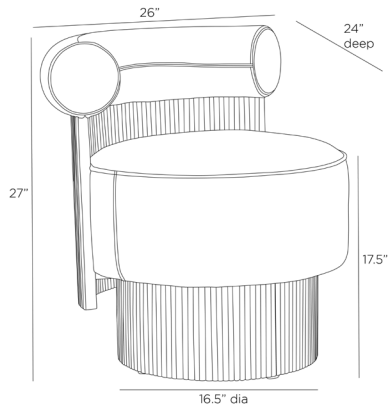


# ARTERIOS

## ERHART CHAIR



FRI13

H: 27 IN, W: 26 IN, D: 24 IN

White Hair on Hide

Contract Suitable As Is

A traditional swivel chair is enhanced with a tubular bolster back for a playful—yet comfortable—edge. Designed in soft white hair-on-hide, it features textural reeded beech wood details of deepest ebony to deliver much-needed visual contrast. Round textural base. Hide will vary.

### APPEARANCE

Material	Hide, Wood
Material Type	Beech
Finish	Ebony
Finish Will Vary	true
Top Coat/Sealant	true
Textile Contract Suitability	High Traffic/Public Spaces

### DIMENSIONS

Base	H: 8 IN, Dia: 16.50 IN
Foot Print	Dia: 16.50 IN
Seat Back	H: 9 IN, W: 26, D: 7
Seat	Dia: 21.50 IN
Seat Height	17.5 IN
Diagonal Dimension	37.5 IN
Seat Cushion Thickness	9.5 IN

### SHIPPING

Shipping Requirements	TruckShip
Product Weight	43 LBS
Gross Weight 1	58 LBS
Shipping Box 1	H: 28.34 IN, L: 28.34 IN, W: 30.7 IN

### ADDITIONAL INFO

Disclaimers	As a natural hide, each piece will vary and no two are alike.
Leg Or Foot Application	Glides
Fabric Compliancy	NFPA-260, TB117-2013
Fabric Rub Count	N/A
Swatch Number	T29SW
Fabric Cleaning Code	S - dry clean only
Fabric Content	100% Leather

### CONTRACT

Contract Suitable	true
Fabric Composition	100% Leather