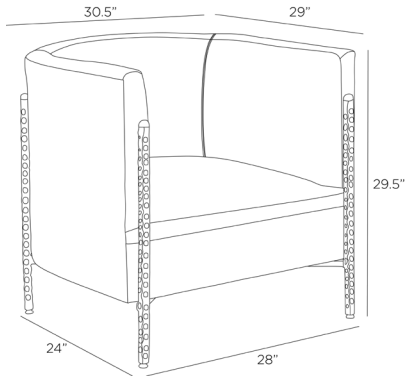


ARTERIOS

ESCONDIDO LOUNGE CHAIR



FRI12

H: 29.5 IN, W: 30.5 IN, D: 29 IN

Dove Leather

Contract Suitable As Is

A barrel-shaped chair of dove leather was designed to cradle your form with comfort and style. Framed in bronzed steel with a dimpled texture, the Escondido's supportive back post aligns with the stitching of the cushion. Finished with frame pulls for easy portability within a room. Leather will vary.

APPEARANCE

Material	Leather, Steel
Finish	Bronze
Finish Will Vary	true
Top Coat/Sealant	true
Textile Contract Suitability	High Traffic/Public Spaces

DIMENSIONS

Arm	W: 5 IN, D: 22 IN
Foot Print	W: 28 IN, D: 24 IN
Leg	H: 25 IN, W: 1, D: 1
Seat Back	H: 14 IN, W: 17, D: 3
Seat	W: 20.5 IN, D: 24.5 IN
Seat Height	15.5 IN
Seat	W: 20.5 IN, D: 24.5 IN
Clearance	7"
Diagonal Dimension	42.5 IN
Seat Cushion Thickness	3.5 IN

SHIPPING

Shipping Requirements	TruckShip
Product Weight	53.1 LBS
Gross Weight 1	70.12 LBS
Shipping Box 1	H: 37.8 IN, L: 35.43 IN, W: 36.2 IN

ADDITIONAL INFO

Disclaimers	This piece is made with genuine leather. The variations in color are a natural characteristic of leather and may increase over time, adding to the individuality of your item. Please keep this away from prolonged intense sunlight, heat and humidity.
Fabric Compliancy	NFPA-260, TB117-2013
Fabric Rub Count	N/A
Swatch Number	T13SW
Fabric Cleaning Code	Leather Cleaner
Fabric Content	100% Leather

CONTRACT

Contract Suitable	true
Fabric Composition	100% Leather