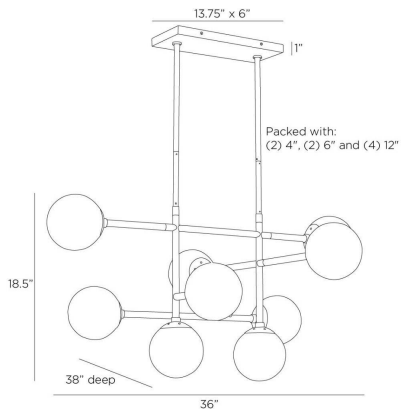


# ARTERIO RS

## HADDEN CHANDELIER



DMC30

H: 23.5 IN, W: 36 IN, D: 38 IN,

Coffee Swirl

Contract Suitable As Is

Nine starry orbs of new matte coffee swirl glass are suspended in a gridded frame of bronze-plated steel. This impactful style delivers a galaxy of light across the room. Anchored by a rectangular canopy for easy installation. Damp-rated, although limited covered outdoor areas may affect finish. Finish will vary.

### APPEARANCE

Material	Glass, Steel
Material Type	Matte
Finish	Coffee Swirl, Bronze
Finish Will Vary	Yes
Top Coat/Sealant	Yes

### DIMENSIONS

Canopy	H: 1 IN, W: 13.75 IN, D: 6 IN
Chandelier	H: 18.5 IN, W: 36 IN, D: 38 IN
Globe	Dia: 6.00 IN
Minimum Hanging	H: 23.5 IN
Max Hanging Height	53.5 in

### WIRING

Rating	Damp
Cord	10 FT, Black/White, SVT
Socket	9, Type B - E12
Maximum Watt	60
Voltage	110-120 V

### COMPLIANCY

RoHS	Yes
------	-----

### SHIPPING

Shipping Requirements	TruckShip
Product Weight	23.1 lbs
Gross Weight 1	32.5 lbs
Shipping Box 1	H: 34.25 IN, L: 31.89 IN, W: 18.31 IN

### REPLACEMENT PARTS

Replacement Part 1	PIPE-488
Replacement Part 1 Dim	(1) 4", (1) 6" and (1) 12"

### CONTRACT

Contract Suitable	Yes
-------------------	-----