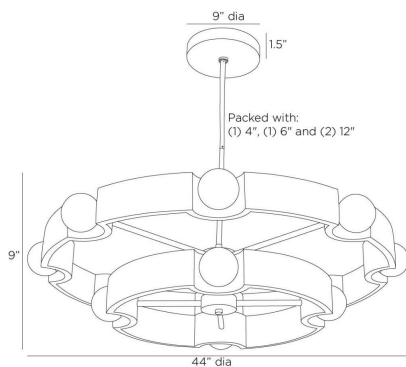


# ARTERIOS

## HANS CHANDELIER



DLC29  
H: 14 IN, Dia: 44.00 IN  
English Bronze  
Contract Suitable As Is

Our jewelry-inspired drum shade delivers a double dose of light. Reminiscent ribbons wrapping around pearls, globes of matte swirl glass are mounted on two English bronze-plated iron tiers suspended from a slim pipe. Twelve integrated LED bulbs. Damp-rated, although limited covered outdoor areas may affect finish.

### APPEARANCE

Material	Glass, Iron
Material Type	Matte
Finish	Swirl, English Bronze
Top Coat/Sealant	Yes

### DIMENSIONS

Canopy	H: 1.5 IN, Dia: 9.00 IN
Chandelier	H: 9 IN
Globe	Dia: 4.00 IN
Minimum Hanging	H: 14 IN
Max Hanging Height	44 in

### WIRING

Rating	Damp
Cord	10 FT, Black/White, SVT
Socket	12, Integrated LED
Maximum Watt	4
Voltage	110-120 V
LED Color Temp	2700K
LED Compatible Dimmer	0-10 V Dimmer
LED CRI	90+
LED Lifespan	20,000
LED Lumens	4,392

### COMPLIANCY

RoHS	Yes
------	-----

### SHIPPING

Shipping Requirements	TruckShip
Product Weight	45.6 lbs
Gross Weight 1	56 lbs
Shipping Box 1	H: 14 IN, L: 44 IN, W: 44 IN

### REPLACEMENT PARTS

Replacement Part 1	PIPE-604
Replacement Part 1 Dim	(1) 4", (1) 6" and (1) 12"
Replacement Part 2	DLC29GLS

### CONTRACT

Contract Suitable	Yes
-------------------	-----