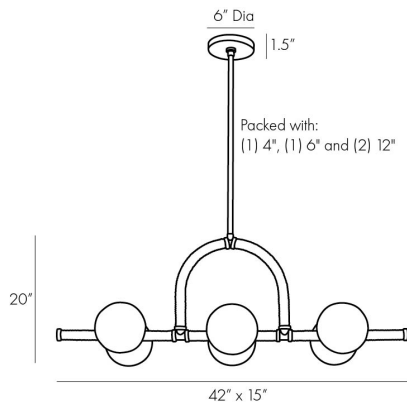


# ARTERIOS

## HARRISON LINEAR CHANDELIER



89467

H: 25 IN, W: 42 IN, D: 15 IN

Antique Brass, Cream Leather, Opal Glass

Contract Suitable As Is

Minimalist and modern, the Harrison is a paradigm of linear lighting. Its lined silhouette presents six opal glass globes and is composed of antique brass steel that has been wrapped in cream-colored leather. The middle of the frame features an arch that was inspired by the grand corridors of historic buildings, lending an architectural element to its straightforward design. Finish will vary. Additional pipe available (PIPE-

### APPEARANCE

Material	Glass, Leather, Steel
Finish	Antique Brass, Cream, Opal
Finish Will Vary	true
Top Coat/Sealant	false

### DIMENSIONS

Chandelier	H: 20 IN, W: 42 IN, D: 15 IN
Minimum Hanging Height	25 IN
Maximum Hanging Height	55 IN
Canopy	H: 1.5 IN, Dia: 6.00 IN

### WIRING

Rating	Damp
Cord	10 FT, Black/White, SVT
Socket	6, Type B - E12
Maximum Watt	25
Voltage	110-120 V

### CERTIFICATIONS

Certifications	Mexico Australia, EU, United Kingdom, Middle East, United States, Canada
----------------	---

### COMPLIANCY

UL/ETL	Yes
CB	Yes
RoHS	true

### SHIPPING

Product Weight	12.35 LBS
Gross Weight 1	18.3 LBS
Shipping Box 1	H: 11.22 IN, L: 16 IN, W: 44.3 IN

### REPLACEMENT PARTS

Replacement Part 1	PIPE-422
Replacement Part 1 Dim	Ext Pipe (1) 4", (1) 6" and (1) 12"
Replacement Part 2	CANOPY-486
Replacement Part 2 Dim	1" x 6"

### CONTRACT

Contract Suitable	true
-------------------	------