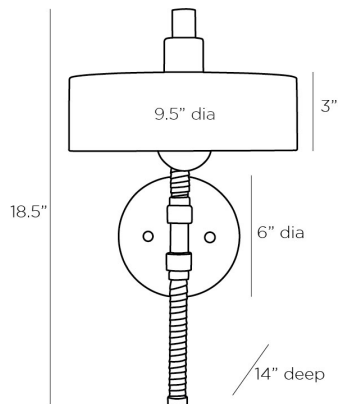


ARTERIOS

AARON SCONCE



49176
 H: 18.5 IN, W: 9.5 IN, D: 14 IN
 Heritage Brass
 Contract Suitable As Is

This contemporary sconce possesses a modern sensibility defined by a sleek style and masterly materials. A heritage brass steel frame wrapped in cream-colored leather is perfectly presented from a circular white marble backplate, and a heritage brass steel drum shade directs light for a striking contrast. Marble will vary. Damp-rated, although limited covered outdoor areas may affect finish.

APPEARANCE

Material	Leather, Marble, Steel
Finish	Antique Brass, Cream, Heritage Brass, White
Finish Will Vary	true
Top Coat/Sealant	true

DIMENSIONS

Center Of Mount From Btm	3 IN 8 IN
Backplate	Dia: 6.00 IN, D: 1 IN
Mount	Dia: 4.00 IN

WIRING

Rating	Damp
Cord	1 FT, Black, SVT
Socket	1, Type A - E26
Maximum Watt	60
Voltage	110-120 V

CERTIFICATIONS

Certifications	Mexico Australia, EU, United Kingdom, Middle East, United States, Canada
----------------	---

COMPLIANCY

UL/ETL	Yes
CB	Yes
RoHS	true

SHIPPING

Product Weight	5.5 LBS
Gross Weight 1	8.4 LBS
Shipping Box 1	H: 18.46 IN, L: 34.96 IN, W: 48.96 IN

CONTRACT

Contract Suitable	true
-------------------	------