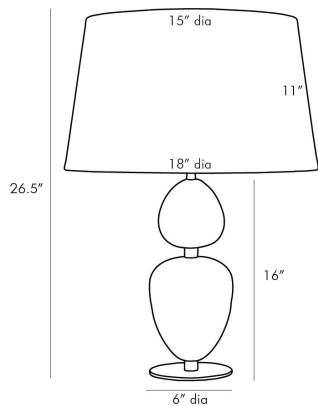


ARTERIOS

AUBREY LAMP



49360-829
 H: 26.5 IN, Dia: 18.00 IN
 Alabaster, Opal Swirl Crystal, Antique Brass
 Contract Suitable As Is

Defined by architectural elements and natural materials the Aubrey is a showpiece by any standard. A polished steel base finished in antique brass exhibits opal swirl crystal and snow marble orbs that accent as well as elevate its sleek frame. The smooth surface of the crystal is juxtaposed with the slightly textured façade of marble. Topped with an off-white linen tapered shade with off-white cotton lining and a 1" brass

APPEARANCE

Material	Antique Brass Alabaster, Cotton, Crystal, Linen, Steel
Finish	Antique Brass, Off-White, Opal Swirl
Finish Will Vary	true
Top Coat/Sealant	false
Finial Description	1" Brass Sphere

DIMENSIONS

Shade	Top: 15.00 IN, Dia: 18.00 IN, Side: 11 IN
Body	H: 16 IN, Dia: 6.00 IN
Foot Print	Dia: 6.00 IN
Harp	9 IN

WIRING

Rating	Indoor Only
Tilt Test	10 Degrees - AU
Cord	8 FT, Clear/Silver, SPT-2
Socket	1, Brass, Type A- E26, 3-Way
Switch	3-Way Rotary, At Socket
Maximum Watt	150
Voltage	110-120 V

CERTIFICATIONS

Cerifications	Mexico Australia, EU, United Kingdom, Middle East, United States, Canada
---------------	---

COMPLIANCY

UL/ETL	Yes
CB	Yes
RoHS	true

SHIPPING

Product Weight	20.5 LBS
Gross Weight 1	20.5 LBS
Gross Weight 2	2.5 LBS
Shipping Box 1	H: 25 IN, L: 10 IN, W: 10 IN
Shipping Box 2	H: 15 IN, L: 22 IN, W: 22 IN

ADDITIONAL INFO

Shade Shape	Round
Shade Trim	Rolled Edges
Shade Type	Hardback

CONTRACT

Contract Suitable	true
-------------------	------