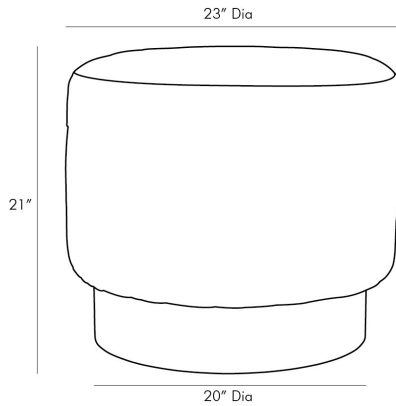


# ARTERIOS

## AVALON OTTOMAN SWISS COFFEE CHAMPAGNE SWIVEL



8139  
H: 21 IN, Dia: 23.00 IN  
Swiss Coffee  
Contract Suitable As Is

Elegant yet daring this oversized drum-style ottoman brims with style. We've upholstered it in an Embroidered Swiss Coffee cloth with a bold textured pattern and fashioned it to a sleek steel champagne steel plinth that swivels for a touch of visual—and functional—drama. The trend-forward fabric makes this a great accent piece for any room.

### APPEARANCE

Material	Embroidery, Steel
Finish	Champagne, Swiss Coffee
Top Coat/Sealant	false

### DIMENSIONS

Yardage To Reupholster 1.5

### SHIPPING

Product Weight	33.5 LBS
Gross Weight 1	37 LBS
Shipping Box 1	H: 23 IN, L: 25 IN, W: 25 IN

### ADDITIONAL INFO

Fabric Composition	57% Viscose, 35% Polyester, 8% Cotton
Fabric Double Rub Count	51,000
Fabric Compliancy	NFPA-260, TB117-2013

### CONTRACT

Contract Suitable	true
Contract Textile Suitability	High Traffic/Public Spaces
Swatch Number	X56SW