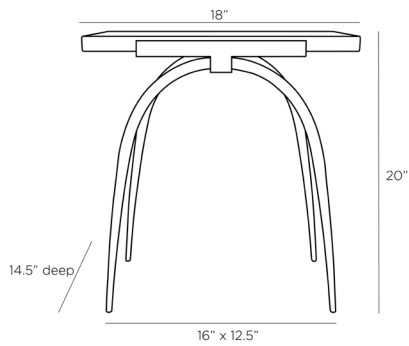


ARTERIOS

BAHATI ACCENT TABLE



4698

H: 20 IN, W: 18 IN, D: 14.5 IN

Blackened

Contract Recommendations: Adding a lacquer coating provides additional pro-

The Bahati table is created with a sandblasted white marble top perfectly poised atop an iron bracket and curved iron legs. The natural iron has been hand-forged, yielding delicate details along its graceful, thin frame. Marble will vary.

APPEARANCE

Material	Iron, Marble
Finish	Natural Iron, White Sandblasted
Finish Will Vary	true
Top Coat/Sealant	true

DIMENSIONS

Foot Print	W: 16 IN, D: 12.5 IN
Leg	W: 1 IN, D: 1 IN
Leg Height	18 IN
Leg	W: 1 IN, D: 1 IN
Table Top	H: 1 IN, W: 18 IN, D: 14 IN

SHIPPING

Product Weight	61.5 LBS
Gross Weight 1	53 LBS
Shipping Box 1	H: 21 IN, L: 17.5 IN, W: 22 IN

ADDITIONAL INFO

Leg Or Foot Application N/A

CONTRACT

Contract Suitable Adding a lacquer coating provides additional protection, Natural stone requires periodic sealing