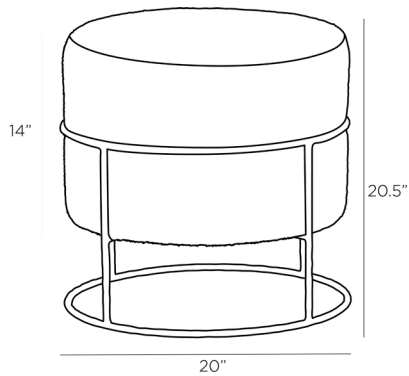


ARTERIOS

MONTREAL OTTOMAN



2082
H: 20.5 IN, Dia: 20.00 IN
Facet Cream
Contract Suitable As Is

Nestled perfectly in a hammered blackened iron frame, this round ottoman, in facet cream chenille, blends raw beauty with high design. The contrast in textures, as well as tones, gives this versatile ottoman a unique edge. Fabric and finish will vary.

APPEARANCE

Material	Chenille, Iron
Material Type	Hammered
Finish	Blackened Iron, Facet Cream
Finish Will Vary	true
Top Coat/Sealant	false

DIMENSIONS

Foot Print	Dia: 20.00 IN
Yardage To Reupholster	1.1
Seat	Dia: 20.00 IN
Seat Height	20.5 IN

SHIPPING

Product Weight	24.25 LBS
Gross Weight 1	30.86 LBS
Shipping Box 1	H: 22.83 IN, L: 21.65 IN, W: 21.65 IN

ADDITIONAL INFO

Fabric Composition	7% Polyester, 37% Cotton, 36% Viscose, 20% Linen
Fabric Double Rub Count	20,000
Fabric Compliancy	NFPA-260, TB117-2013
Leg Or Foot Application	None

CONTRACT

Contract Suitable	true
Contract Textile Suitability	Low Traffic/Private Spaces
Swatch Number	X61SW