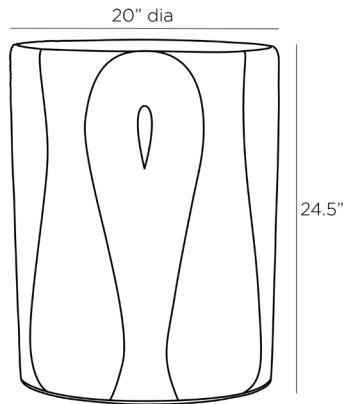


ARTERIOS

MORGAN END TABLE



5710

H: 24.5 IN, Dia: 20.00 IN

Natural Rattan

Contract Recommendations: Adding a lacquer coating provides additional protection.

A traditional drum-style silhouette with incredible detailing, the Morgan is an end table with a statement-making purpose. Its full-bodied shape is crafted from natural pencil rattan. A beautiful pattern of sinuous lines and feminine curves grace each side of the table, converging at the top to create a distinct diamond motif. Rattan and finish will vary.

APPEARANCE

Material	Rattan
Finish	Natural
Finish Will Vary	true
Top Coat/Sealant	false

DIMENSIONS

Foot Print	Dia: 20.00 IN
------------	---------------

SHIPPING

Product Weight	17.64 LBS
Gross Weight 1	23.15 LBS
Shipping Box 1	H: 27 IN, L: 22.5 IN, W: 22.5 IN

CONTRACT

Contract Suitable	Adding a lacquer coating provides additional protection
-------------------	---