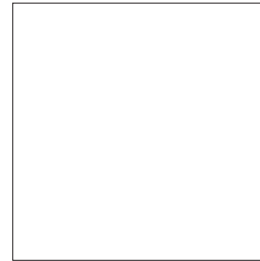
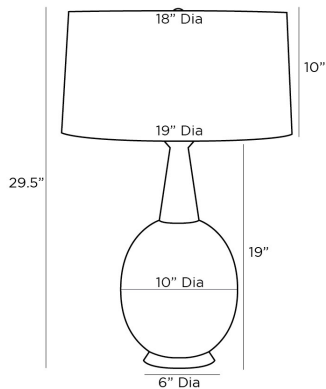


ARTERIOS

PADGET LAMP



11077-659
H: 29.5 IN, Dia: 19.00 IN
Oat Porcelain
Contract Suitable As Is

In a classic gourd shape reminiscent of mid-century modern design, the oat ceramic Padget is an easy addition to any interior. The long-neck table lamp is finished with an antique brass finial and topped with an ivory microfiber drum shade lined in white cotton. Finish will vary.

APPEARANCE

Material	Cotton, Microfiber, Porcelain, Steel
Finish	Antique Brass, Ivory, Oat, White
Finish Will Vary	true
Top Coat/Sealant	false
Finial Description	Antique Brass Sphere

DIMENSIONS

Shade	Top: 18.00 IN, Dia: 19.00 IN, Side: 10 IN
Body	H: 19 IN, Dia: 10.00 IN
Neck	H: 1 IN, Dia: 1.00 IN
Foot Print	Dia: 6.00 IN
Harp	8.5" Brass IN

WIRING

Rating	Indoor Only
Tilt Test	10 Degrees - AU
Cord	10 FT, Clear/Silver, SPT-2
Socket	1, Brass, Type A - E26
Switch	3-Way Rotary, At Socket
Maximum Watt	150
Voltage	110-120 V

COMPLIANCY

RoHS	false
------	-------

SHIPPING

Shipping Requirements	Prop65
Product Weight	8.5 LBS
Gross Weight 1	9 LBS
Gross Weight 2	5 LBS
Shipping Box 1	H: 17 IN, L: 11 IN, W: 20.5 IN
Shipping Box 2	H: 11 IN, L: 20 IN, W: 20 IN

ADDITIONAL INFO

Shade Shape	Round
Shade Trim	Rolled Edges
Shade Type	Hardback

REPLACEMENT PARTS

Replacement Part 1	81002
Replacement Part 1 Dim	1" Sphere

CONTRACT

Contract Suitable	true
-------------------	------