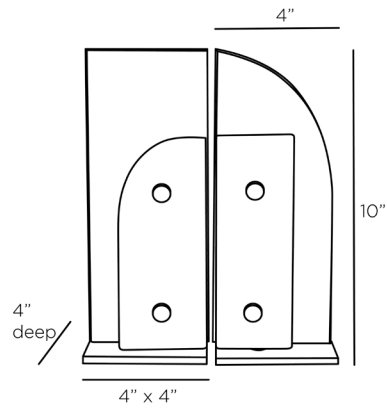


# ARTERIOS

## PORTER BOOKENDS, SET OF 2



9308  
H: 10 IN, W: 4 IN, D: 4 IN  
Smoke Luster  
Contract Suitable As Is

Streamlined, asymmetrical Porter bookends give a modern nod to the pair's Art Deco origins. In a dynamic combination of smoke luster crystal, white alabaster, and bronze steel, the bookends fashionably flank hard-covers. Alabaster will vary.

### APPEARANCE

Material	Alabaster, Crystal, Steel
Finish	Bronze, Smoke Luster, White
Finish Will Vary	true
Top Coat/Sealant	false

### DIMENSIONS

Foot Print	W: 4 IN, D: 4 IN
------------	------------------

### SHIPPING

Product Weight	13 LBS
Gross Weight 1	17 LBS
Shipping Box 1	H: 13 IN, L: 8.25 IN, W: 14.13 IN

### CONTRACT

Contract Suitable	true
-------------------	------