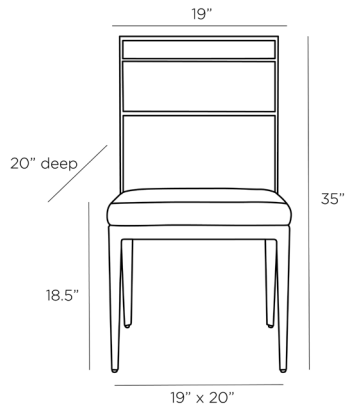


ARTERIOS

PORTMORE DINING CHAIR



6028

H: 35 IN, W: 19 IN, D: 20 IN

Pewter Texture

Contract Recommendations: Adding a lacquer coating provides additional protection.

Forged, blackened iron and woven pewter texture upholstery form a streamlined dining chair any minimalist will love. The transitional chair works easily with different design styles, and its open back makes it easy to transport from room to room to create additional seating.

APPEARANCE

Material	Iron, Texture
Finish	Blackened Iron, Pewter
Finish Will Vary	true
Top Coat/Sealant	false

DIMENSIONS

Foot Print	17.5 IN
	W: 19 IN, D: 20 IN
Leg Height	14 IN
Seat Back Height	17.5 IN
Seat	W: 18 IN, D: 16.5 IN
Seat Height	18.5 IN
Seat	W: 18 IN, D: 16.5 IN
Yardage To Reupholster	1

SHIPPING

Product Weight	21 LBS
Gross Weight 1	53 LBS
Shipping Box 1	H: 26 IN, L: 26 IN, W: 44 IN

ADDITIONAL INFO

Leg Or Foot Application	Leveler
Fabric Compliancy	NFPA-260, TB117-2013
Fabric Cleaning Code	S - DRY CLEAN ONLY
Fabric Content	100% POLYESTER
Fabric Rub Count	15,000
Foam Compliancy	UK COMPLIANT, TB117-2013, NFPA-260

CONTRACT

Contract Suitable	Adding a lacquer coating provides additional protection
-------------------	---