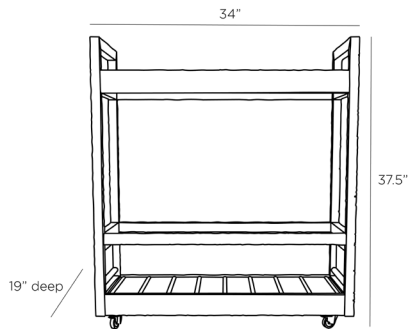


ARTERIOS

PROSPER BAR CART



5768

H: 37.5 IN, W: 34 IN, D: 19 IN

Natural

Contract Recommendations: Adding a lacquer coating provides additional protection.

Imbuing a relaxed yet refined sensibility that marries modern architectural lines with the rich texture of natural rattan, the Prosper bar cart serves up style with a twist. The cart is issued in a rattan-wrapped natural mahogany frame, with an apron that extends to conceal the casters underneath. Finish will vary.

APPEARANCE

Material	Rattan, Wood
Material Type	Mahogany
Finish	Natural
Finish Will Vary	true
Top Coat/Sealant	false

DIMENSIONS

Foot Print	W: 34 IN, D: 19 IN
Table Top	W: 32 IN, D: 17 IN

SHIPPING

Shipping Requirements	TruckShip
Product Weight	27 LBS
Gross Weight 1	56.7 LBS
Shipping Box 1	H: 37.25 IN, L: 22 IN, W: 39.75 IN

ADDITIONAL INFO

Leg Or Foot Application	Caster Wheel
-------------------------	--------------

CONTRACT

Contract Suitable	Adding a lacquer coating provides additional protection, Not for use in high traffic/public spaces
-------------------	--