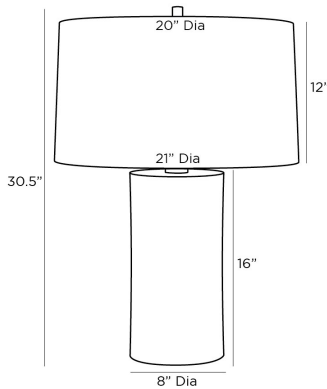


# ARTERIOS

## SAMOA LAMP



44799-976  
H: 30.5 IN, Dia: 21.00 IN  
Antique Brass Cast Aluminum  
Contract Suitable As Is

The Samoa presents a fiercely stylish way to illuminate a space. Cast antique brass aluminum is engraved with a stylized animal print. The textural lamp features a matching cylinder metal finial and is topped with off-white silk drum shade lined in off-white cotton. Finish will vary.

### APPEARANCE

|                    |                              |
|--------------------|------------------------------|
| Material           | Cast Aluminum, Cotton, Silk  |
| Finish             | Antique Brass, Off-White     |
| Finish Will Vary   | true                         |
| Top Coat/Sealant   | true                         |
| Finial Description | Matching Brass Clad Cylinder |

### DIMENSIONS

|            |   |
|------------|---|
| Shade      | Top: 20.00 IN, Dia: 21.00 IN, Side: 12 IN |
| Body       | H: 16 IN, Dia: 8.00 IN                    |
| Neck       | H: 2 IN, Dia: 2.00 IN                     |
| Foot Print | Dia: 8.00 IN                              |
| Harp       | 10" Brass IN                              |

### WIRING

|              |                            |
|--------------|----------------------------|
| Rating       | Indoor Only                |
| Tilt Test    | 10 Degrees - AU            |
| Cord         | 10 FT, Clear/Silver, SPT-2 |
| Socket       | 1, Black, Type A - E26     |
| Switch       | 3-Way Rotary, At Socket    |
| Maximum Watt | 150                        |
| Voltage      | 110-120 V                  |

### COMPLIANCY

|      |       |
|------|-------|
| RoHS | false |
|------|-------|

### SHIPPING

|                       |                                      |
|-----------------------|--------------------------------------|
| Shipping Requirements | Prop65                               |
| Product Weight        | 12.5 LBS                             |
| Gross Weight 1        | 13 LBS                               |
| Gross Weight 2        | 5 LBS                                |
| Shipping Box 1        | H: 24.25 IN, L: 12.5 IN, W: 26.75 IN |
| Shipping Box 2        | H: 13 IN, L: 22 IN, W: 22 IN         |

### ADDITIONAL INFO

|             |              |
|-------------|--------------|
| Shade Shape | Round        |
| Shade Trim  | Rolled Edges |
| Shade Type  | Hardback     |

### CONTRACT

|                   |      |
|-------------------|------|
| Contract Suitable | true |
|-------------------|------|