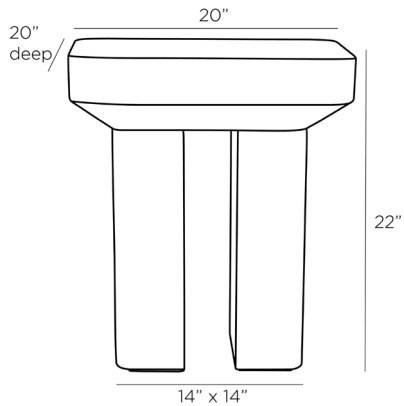


ARTERIOS

SPIAZZO END TABLE

JAY JEFFERS



DJ5017

H: 22 IN, W: 20 IN, D: 20 IN

Natural

Contract Suitable As Is

The form of this natural concrete table is inspired by the work of Italian architect Carlos Scarpa. It is both strong and sensual and is would make fantastic sculptural nighstands next to a bed or end table between 2 chairs.

APPEARANCE

Material	Concrete
Finish	Natural
Top Coat/Sealant	false

DIMENSIONS

Foot Print	W: 14 IN, D: 14 IN
Leg Height	17 IN
Table Top	H: 3 IN

SHIPPING

Shipping Requirements	TruckShip
Product Weight	60 LBS
Gross Weight 1	83.77 LBS

CONTRACT

Contract Suitable	true
-------------------	------