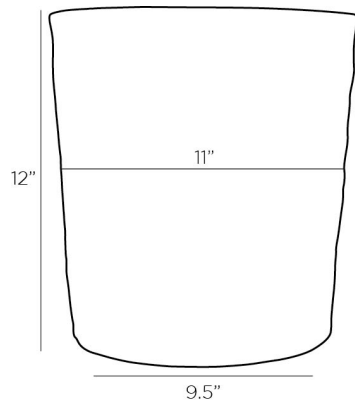


ARTERIOS

STEDMAN ICE BUCKET



6955

H: 12 IN, Dia: 11.00 IN

Antiqued Aluminum

Contract Suitable As Is

Stock the bar with something unexpected. The Stedman ice bucket is created in antiqued, cast aluminum, with a wood-grain texture that mimics tree bark. The earthy ice bucket is topped with a smooth, slotted lid in the same finish, and a stainless-steel liner for maximizing the life of your ice. Finish will vary.

APPEARANCE

Material	Aluminum, Steel
Material Type	Cast, Stainless
Finish	Antique
Finish Will Vary	true
Top Coat/Sealant	true

DIMENSIONS

Foot Print	Dia: 9.50 IN
Opening	Dia: 9.50 IN

SHIPPING

Product Weight	13 LBS
Gross Weight 1	18.8 LBS
Shipping Box 1	H: 12.5 IN, L: 12.5 IN, W: 23.5 IN

ADDITIONAL INFO

Features	Food Safe, Water Tight
----------	------------------------

CONTRACT

Contract Suitable	true
-------------------	------