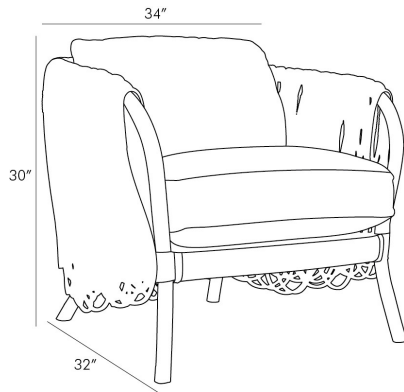


# ARTERIOS

## STRATA LOUNGE CHAIR



5590

H: 30 IN, W: 34 IN, D: 32 IN

Oyster Leather, Black

Contract Recommendations: Adding a lacquer coating provides additional pro-

All of the incredible qualities of rattan are prevalent in this handsome chair. The core is made by using bent rattan poles formed into a comfortable curvature that hugs you while you're sitting. Thick square-cut strips of rattan are looped to create the intricate overlapping pattern that wraps the entire frame. Its organic aesthetic is modernized in a deep black finish. Oyster leather cushions add a level of luxury.

### APPEARANCE

Material	Leather, Rattan
Finish	Black, Oyster
Finish Will Vary	true
Top Coat/Sealant	false

### DIMENSIONS

Foot Print	W: 34 IN, D: 32 IN
Yardage To Reupholster	4.5
Seat	W: 26 IN, D: 24 IN
Seat Height	21 IN
Seat Cushion Thickness	5 IN
Seat	W: 26 IN, D: 24 IN

### SHIPPING

Product Weight	39 LBS
Gross Weight 1	40 LBS
Shipping Box 1	H: 36 IN, L: 34 IN, W: 38 IN

### ADDITIONAL INFO

Fabric Composition	100% Leather
Fabric Double Rub Count	N/A
Fabric Compliance	NFPA-260, TB117-2013

### CONTRACT

Contract Suitable	false
Contract Textile Suitability	High Traffic/Public Spaces
Swatch Number	T23SW