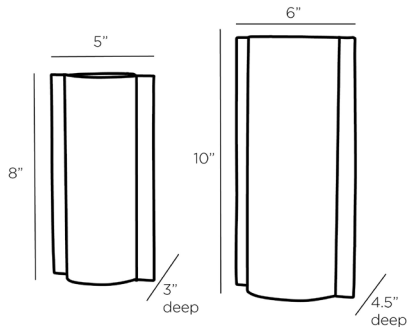


ARTERIO RS

VESTA VASES, SET OF 2



AVI02

Ivory and Graphite
Contract Suitable As Is

Inspired by the tailoring of menswear, these two-tone Vesta vases are handsomely crafted in ivory and graphite leather, with tabbed edges that highlight the set's columnar silhouette. The bespoke pair, in two sizes, are fitted with a clear glass insert, making them watertight.

APPEARANCE

Material	Glass, Leather
Finish	Clear, Graphite
Top Coat/Sealant	false

DIMENSIONS

Foot Print Large	W: 6 IN, D: 4.5 IN
Foot Print Small	W: 5 IN, D: 3 IN
Large Set Opening	3.50
Small Set Opening	2.50

SHIPPING

Product Weight	2 LBS
Gross Weight 1	2.97 LBS
Shipping Box 1	H: 13.75 IN, L: 7.25 IN, W: 13.25 IN

ADDITIONAL INFO

Features	Water Tight
----------	-------------

CONTRACT

Contract Suitable	true
-------------------	------