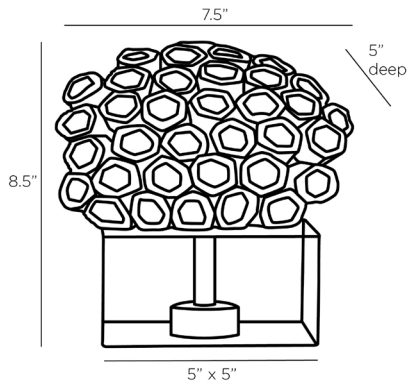


ARTERIO RS

WILCOMB SCULPTURE



ASC08

H: 8.5 IN, W: 7.5 IN, D: 5 IN

Sand

Contract Suitable As Is

Inspired by nature, the Wilcomb sculpture's design is reminiscent of coral, with its mass of organic openings. The small-scale accessory is created in a sandy shade of resin and rests atop a clear crystal base. Finish will vary.

APPEARANCE

Material	Crystal, Resin
Material Type	
Finish	Clear
Finish Will Vary	true
Top Coat/Sealant	false

DIMENSIONS

Foot Print	W: 5 IN, D: 5 IN
------------	------------------

SHIPPING

Product Weight	11 LBS
Gross Weight 1	11.68 LBS
Shipping Box 1	H: 10.63 IN, L: 8.63 IN, W: 11.63 IN

CONTRACT

Contract Suitable	true
-------------------	------