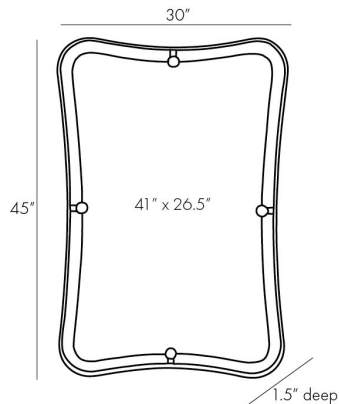


ARTERIOS

JANEY HOURGLASS MIRROR



4913

H: 45 IN, W: 30 IN, D: 1.5 IN

Natural Iron

Contract Suitable As Is

Featuring a natural iron frame, polished brass accents and a plain mirror, the Janey is a contemporary lesson in mixed materials. The open frame design gives this mirror dimension and depth, while the dual finishes make its simple form outstanding. A unique hourglass shape gives it a daring dynamic that will make a statement in any space. Security cleat hanging hardware allows for vertical or horizontal display.

APPEARANCE

Material	Brass, Iron, Mirror
Finish	Natural Iron, Plain, Polished Brass
Top Coat/Sealant	true

DIMENSIONS

Mirror Size	1.25 IN
	H: 41 IN, W: 26.5 IN

SHIPPING

Shipping Requirements	TruckShip
Product Weight	51.6 LBS
Gross Weight 1	81.57 LBS
Shipping Box 1	H: 36 IN, L: 51 IN, W: 7 IN

ADDITIONAL INFO

Hanger Position	Vertical & Horizontal
Hanger Type	Security Cleat

CONTRACT

Contract Suitable	true
-------------------	------