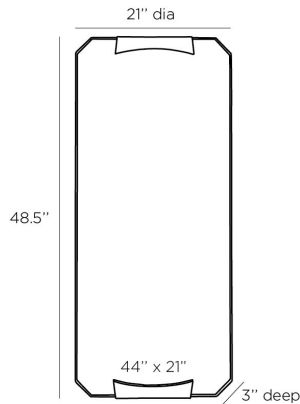


ARTERIOS

KRIS RECTANGULAR MIRROR



2046

H: 48.5 IN, W: 21 IN, D: 3 IN

Antique Brass

Contract Suitable As Is

Elegantly modern, the Kris Rectangular Mirror displays a refined geometric design. Gracefully formed brass clasps hold this mirror top and bottom, all in an antique brass finish over a blackened iron frame. The raised design creates depth and adds chic sophistication. Security cleat hanging hardware included and allows for vertical or horizontal display.

APPEARANCE

Material	Brass, Iron, Mirror
Finish	Antique Brass, Blackened Iron, Plain
Top Coat/Sealant	true

DIMENSIONS

Mirror Size	H: 44 IN, W: 21 IN
-------------	--------------------

SHIPPING

Shipping Requirements	TruckShip
Product Weight	41.88 LBS
Gross Weight 1	74.4 LBS
Shipping Box 1	H: 54 IN, L: 27 IN, W: 8 IN

ADDITIONAL INFO

Hanger Position	Vertical & Horizontal
Hanger Type	Security Cleat

CONTRACT

Contract Suitable	true
-------------------	------