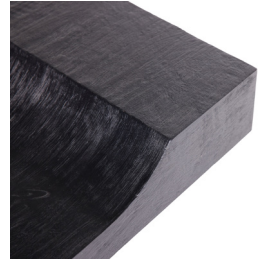
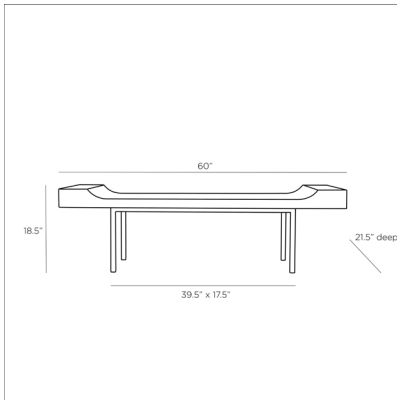


ARTERIOS

LANNY BENCH



5115

H: 18.5 IN, W: 60 IN, D: 21.5 IN

Black Teak

Contract Recommendations: Adding a lacquer coating provides additional protection.

With its sophisticated form, this bench delivers an austere beauty. The cutout-shaped silhouette of the bench seat creates a visually impactful element over a sleek blackened iron base. Black finished teak wood features a heavy wire brushing that adds extra texture and highlights the natural wood grain. Wood will vary.

APPEARANCE

Material	Iron, Wood
Material Type	Teak
Finish	Black, Blackened Iron
Finish Will Vary	true
Top Coat/Sealant	false

DIMENSIONS

Foot Print	W: 39.5 IN, D: 17.5 IN
Leg	W: 1 IN, D: 1 IN
Leg Height	14 IN
Leg	W: 1 IN, D: 1 IN
Seat Height	17 IN
Seat Cushion Thickness	3 IN

SHIPPING

Shipping Requirements	TruckShip
Product Weight	74 LBS
Gross Weight 1	105.29 LBS
Shipping Box 1	H: 62 IN, L: 25 IN, W: 21.5 IN

CONTRACT

Contract Suitable	Adding a lacquer coating provides additional protection
-------------------	---