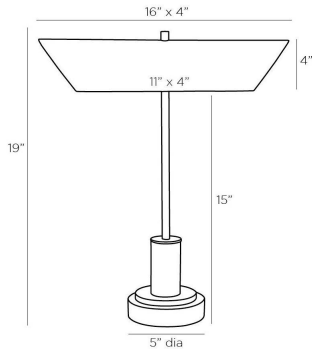


ARTERIOS

LANSING LAMP



42039
H: 19 IN, W: 16 IN, D: 5 IN,
Vintage Brass, Brass

The iconic style of the classic library lamp is beautifully translated in the design of the Lansing. The elongated vintage brass metal shade is perched atop a bronze finished aluminum post, with a white marble base for a dramatic transition of tones and textures. A juxtaposition of materials and shapes is revealed through the linear shade, circular base, and the reeding details found on the finial and body. This lamp features two sockets for increased surface illumination. Finish will vary.

APPEARANCE

Material	Brass, Marble, Aluminum
Finish	Vintage Brass, White, Bronze
Finish Will Vary	Yes
Top Coat/Sealant	Yes

DIMENSIONS

Base	H: 1.5 IN, Dia: 5.00 IN
Body	H: 15 IN
Foot Print	Dia: 5.00 IN
Shade Bottom	W: 11 IN, D: 4 IN
Shade Side	H: 4 IN
Shade Top	W: 16 IN, D: 4 IN

WIRING

Rating	Indoor Only
Tilt Test	10 Degrees - AU
Cord	10 FT, Back of Lamp Base, Clear/Silver, SPT-2
Socket	2, Type B - E12
Switch	On Line, On/Off Rotary
Maximum Watt	60
Voltage	110-120 V

CERTIFICATIONS

Certifications	Mexico, United Arab Emirates, European Union, United States, Canada, Australia
----------------	--

COMPLIANCY

UL/ETL	Yes
CB	Yes
RoHS	Yes

SHIPPING

Product Weight	6 lbs
Gross Weight 1	12 lbs
Shipping Box 1	H: 20 IN, L: 9 IN, W: 23 IN

ADDITIONAL INFO

Shade Shape	Other
Shade Type	Other

CONTRACT

Contract Suitable	Yes
-------------------	-----