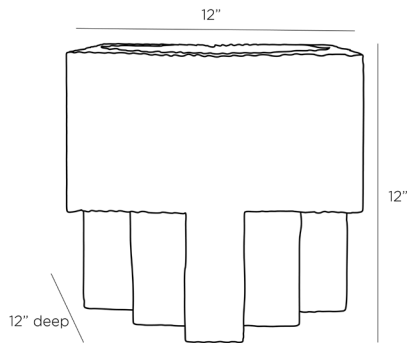


ARTERIOS

MALAK CENTERPIECE



5678
H: 12 IN, W: 12 IN, D: 12 IN
Umber
Contract Suitable As Is

Rich details make this grand centerpiece an extraordinary accent piece. Crafted from mahogany wood in an umber finish, the entire piece features deep by hand carvings and natural cracks that give it a beautifully organic appeal. Adding to its substantial presence, the bowl is raised on stout, square legs to add height to a tablescape. Finish & carving will vary.

APPEARANCE

| | |
|------------------|----------|
| Material | Wood |
| Material Type | Mahogany |
| Finish | Umber |
| Finish Will Vary | true |
| Top Coat/Sealant | false |

DIMENSIONS

| | |
|------------|--------------------|
| Foot Print | W: 12 IN, D: 12 IN |
|------------|--------------------|

SHIPPING

| | |
|----------------|---------------------------------------|
| Product Weight | 24.5 LBS |
| Gross Weight 1 | 28.66 LBS |
| Shipping Box 1 | H: 13.77 IN, L: 13.77 IN, W: 14.17 IN |

CONTRACT

| | |
|-------------------|------|
| Contract Suitable | true |
|-------------------|------|