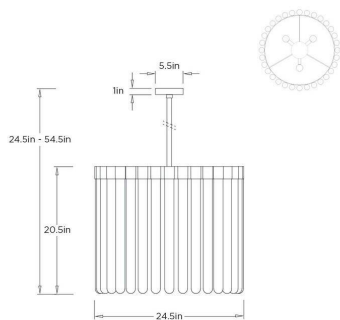


# ARTERIOS

## MAXTON CHANDELIER



\*ADDITIONAL PIPE AVAILABLE  
DS112 MAXTON CHANDELIER ARTERIOS



DS112

H: 24.5 IN, Dia: 24.50 IN

Smoke Ombre Seeded Glass

### APPEARANCE

Finish Will Vary Yes  
Top Coat/Sealant Yes

### DIMENSIONS

Canopy H: 1 IN, Dia: 5.50 IN  
Chandelier H: 20.5 IN, Dia: 24.50 IN  
Minimum Hanging H: 24.5 IN  
Max Hanging Height 54.5 in

### WIRING

Rating Damp  
Cord 10 FT, Black, SVT  
Socket 3, Type A - E26  
Maximum Watt 40  
Voltage 110-120 V

### COMPONENTS

Pipe or Chain Included 12" (2), 6" (1), 3" (1)

### COMPLIANCY

UL/ETL Yes  
RoHS No

### SHIPPING

Shipping Requirements TruckShip  
Product Weight 58 lbs  
Gross Weight 1 70 lbs  
Shipping Box 1 H: 16 IN, L: 25.5 IN, W: 25.5 IN

### REPLACEMENT PARTS

Replacement Part 1 PIPE-625

### CONTRACT

Contract Suitable Yes