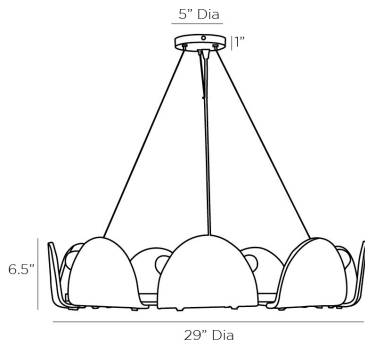


# ARTERIOS

## MENDEZ CHANDELIER



84065

H: 16.5 IN, Dia: 29.00 IN

Antique Brass, Smoke Luster Glass

Contract Suitable As Is

A masterpiece in understated beauty, the Mendez balances high-style design and organic composition. Nine panels of scalloped-shaped slump glass are bent over an antique brass iron frame, each an individual shield for a bulb. The glass panels feature a smoke luster finish and a hammered texture that work in unison to diffuse and disperse light and elevate the unrefined elements of the overall aesthetic. Finish will vary.

### APPEARANCE

Material	Iron, Slump Glass
Material Type	Hammered
Finish	Antique Brass, Smoke Luster
Finish Will Vary	true
Top Coat/Sealant	false

### DIMENSIONS

Chandelier	H: 6.5 IN, Dia: 29.00 IN
Minimum Hanging Height	16.5 IN
Maximum Hanging Height	121.5 IN
Canopy	H: 1 IN, Dia: 5.00 IN

### WIRING

Rating	Damp
Cord	10 FT, Black, SVT
Socket	9, Type B - E12
Photographed Bulb	2" Frosted Globe Bulb
Maximum Watt	25
Voltage	110-120 V

### COMPLIANCY

RoHS	true
------	------

### SHIPPING

Shipping Requirements	TruckShip
Product Weight	24 LBS
Gross Weight 1	50.27 LBS
Shipping Box 1	H: 10 IN, L: 35.5 IN, W: 35.5 IN

### ADDITIONAL INFO

Features	Assembly Required
----------	-------------------

### REPLACEMENT PARTS

Replacement Part 1	CANOPY-573
Replacement Part 1 Dim	1" x 5"
Replacement Part 2	84065GLS

### CONTRACT

Contract Suitable	true
-------------------	------